

QUICK GUIDE
BTK

btk  Implanting Trust,
Smile Again!

3D SURGICAL KIT

ISY KONE, BT SAFE, BT NANO



The solution to manage
your guided surgery



visit [btk.dental](https://www.btk.dental)

FOLLOW US ON



SIMPLICITY REDEFINED ONE KIT

STORAGE OF SURGICAL INSTRUMENTS

The surgical trays are used for the secure storage and sterilization of the surgical and auxiliary instruments of the BTK dental implant systems. They are made of a highly shock-proof thermoplastic, which is well established in medical applications and the material is suitable for frequent sterilization in the autoclave.

DENSE BONE PROTOCOL (TAPPING)

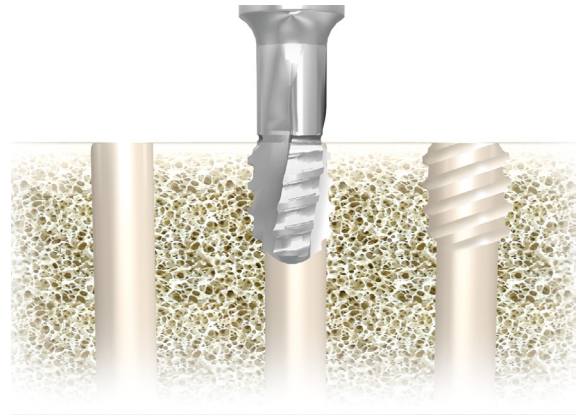
The evaluation of bone quality is made by using radiograph imaging techniques and clinical examination.

Dense cortical bone provides higher implant primary stability.

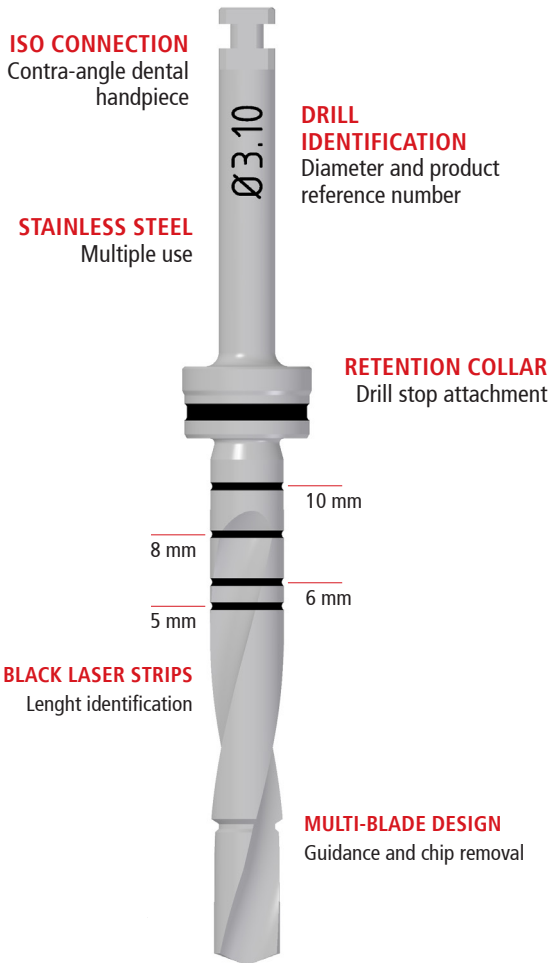
Whereas cancellous bone provides less initial stabilization.

This has to be taken into account when preparing the implant site.

Moreover, it influences the time required to develop osseointegration.



visit btk.dental



CHARACTERISTICS OF SURGICAL DRILLS

- drills and taps should be replaced after max. 20 applications;
- drilling must proceed with sharp drills, intermittently at 500 rpm – 600 rpm;
- the laser strips correspond to the length of the implant selected. However, in order to increase safety drill stops may also be used;
- all final drills offer attachment of suitable drill stops.

3D MOUNTING DEVICE

The ISY KONE, BT SAFE and BT NANO surgical protocol provides for the insertion of the implant through the use of the appropriate **3D Mounting Device** and the **Retentive Wrench**.

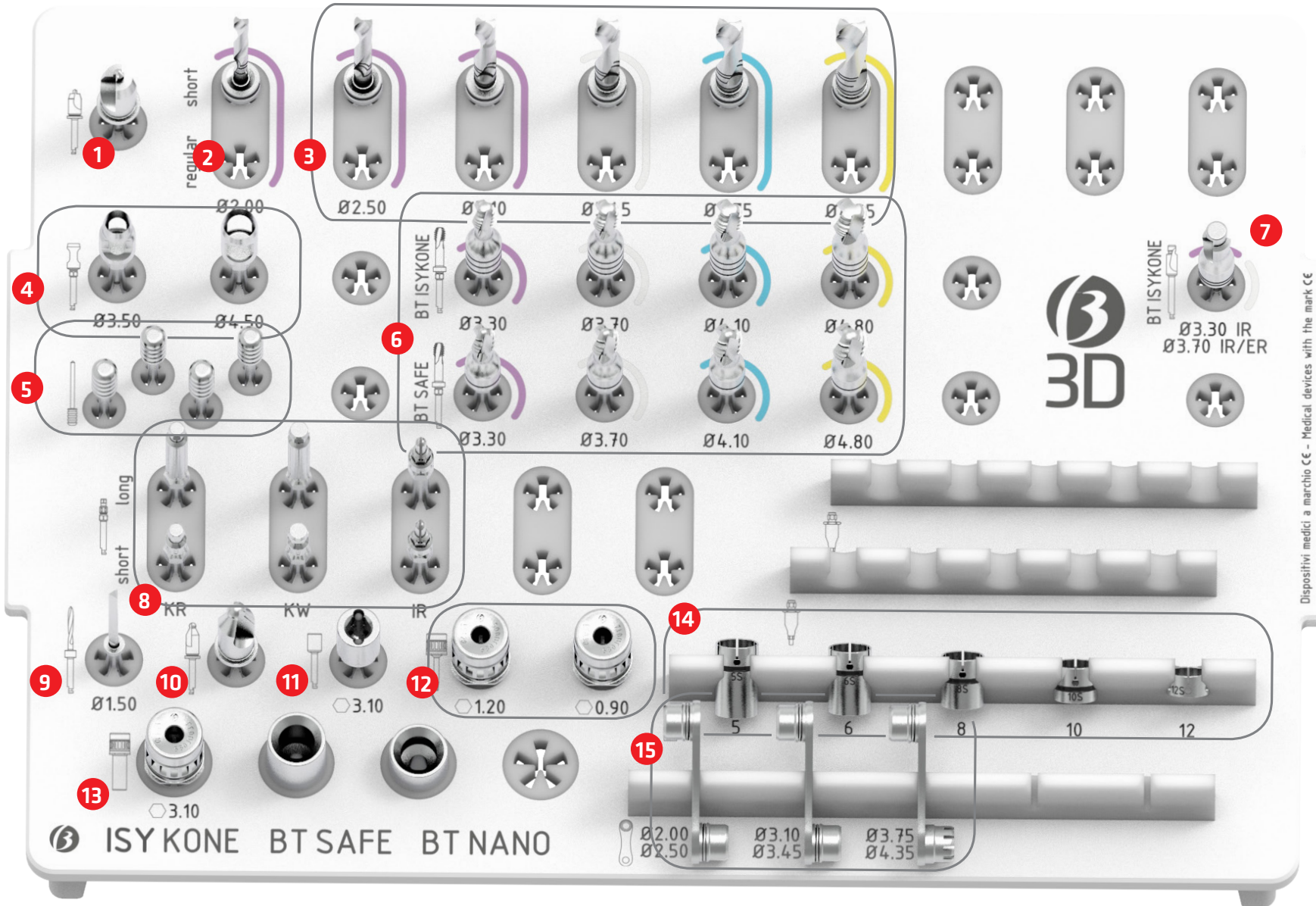
The mounting devices are not included in the 3D surgical kit but can be purchased separately in a single pack or in a 6pcs pack.

3D MOUNTING DEVICE		
690EN003	EN	L13mm
690ER003	ER	L13mm
690IR003	IR	L14.8mm
690KR001	KR	L15mm
690KW001	KW	L15mm

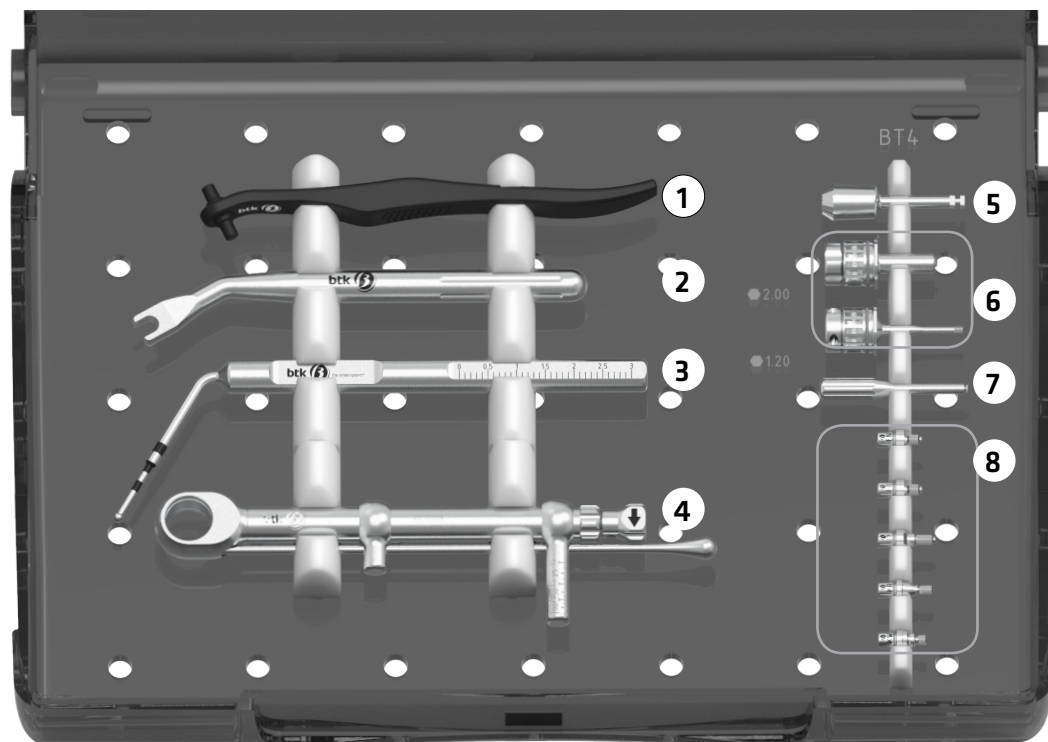
FOLLOW US ON



INSTRUMENTS KIT CODE 670NA019



ISY KONE BT SAFE BT NANO



1
GUIDE SHAFT
502MA002 | Ø 2.5 mm

2
ANGLED WRENCH 30°
502MA003 | HEX3.10

3
DEPTH GAUGE
540MA011 | Ø1.8mm L108mm 30°

4
TORQUE WRENCH JD REVERSIBLE
501JD003 | 90 Ncm

5
BONE PROFILER HS (BT4)
435HS430 | Ø4.3mm L25 mm

6
SCREWDRIVER JD (BT4)
530JD021 | HEX2.0 L10mm
530JD014 | HEX1.20 L15mm Ridotto

7
PARALLELISM PIN (BT4)
540MA007 | M1.4 L26mm

8
BONE PROFILER GUIDE
435EN001 | EN
435ER001 | ER
435IR001 | IR
435KR001 | KR
435KW001 | KW

1
START DRILL HS
415HS501 | Ø5mm L27 mm

2
TWIST DRILL 3D HS (PILOTA)
416HS200 | Ø2 mm L40mm

3
TWIST DRILL 3D HS
416HS250 | Ø2.5mm L40mm
416HS310 | Ø3.10-2.75mm L40mm
416HS345 | Ø3.45-3.05mm L40mm
416HS375 | Ø3.75-3.35mm L40mm
416HS435 | Ø4.35-3.85mm L40mm

4
TISSUE PUNCH
490HR450 | HR Ø4.5mm Int
415HS350 | 3D HS Ø3.5mm L28mm

5
PIN FIXING SURGICAL TEMPLATE
540MA012 | Ø1.5mm

6
SCREW TAP 3D HR ISY KONE
473HR330 | Ø3.3mm L37.5mm
473HR370 | Ø3.7mm L37.5mm
473HR410 | Ø4.1mm L37.5mm
473HR480 | Ø4.8mm L37.5mm

SCREW TAP 3D HR BT SAFE
472HR330 | Ø3.3mm L35mm
472HR370 | Ø3.7mm L35mm
472HR410 | Ø4.1mm L35mm
472HR480 | Ø4.8mm L35mm

7
COUNTERSINK 3D HS
436HS330 | Ø3.3mm L30.5mm
Isy Kone Int

8
IMPLANT DRIVER
530HS013 | KR (SHORT) L23mm
530HL001 | KR (REGULAR) L33mm
530HS014 | KW (SHORT) L23mm
530HL002 | KW (REGULAR) L33mm
530HS009 | IR-IW (SHORT) L26mm
530HS008 | IR-IW (REGULAR) L30mm

9
DRILL 3D HR
415HR150 | Ø1.5mm L36mm

10
BONE PROFILER HS
415HS500 | Ø5mm L30mm

11
RETENTIVE WRENCH
530HS017 | HEX3.10

12
SCREWDRIVER JD
530JD005 | HEX1.20 L15mm
530JD012 | HEX0.90 L15mm

13
ADAPTER CONNECTION
530JD033 | ISO/HEX3.10-JD L10mm

14
DRILL STOP 3D

521NA605 | H5mm
521NA606 | H6mm
521NA608 | H8mm
521NA610 | H10mm
521NA612 | H12mm

15
REDUCER 3D
502MA014 | Ø2-Ø2.5mm
BT Safe
502MA015 | Ø3.1-Ø3.45mm
BT Safe
502MA016 | Ø3.75-Ø4.35mm
BT Safe

Dispositivi medici a marchio CE - Medical devices with the mark CE



BIOTEC S.R.L. VIA INDUSTRIA, 53
36031 POVOLARO DI DUEVILLE (VI) - ITALY
TEL: +39 0444 361251 - FAX: +39 0444 361249
mail: info@btk.dental

visit btk.dental

BTK PERSONAL TUTOR

A program for individual case planning and execution supported by experienced professionals in order to leverage know-how and maximize clinical experience with the aim to achieve sustainable high patient satisfaction rates.

BTK is always at your disposal for any request for further follow-up or information, promoting periodic and ad-hoc training course.

CERTIFIED QUALITY SYSTEM

BIOTEC is certified UNI EN ISO 9001
and UNI EN ISO 13485.



CE marked product, in accordance with Directive 93/42/EEC and subsequent modifications and additions.

MADE IN ITALY USED GLOBALLY



We constantly ensure that the quality of our products and services meet the high expectations of our customers and their patients.

Specialized professionals are taking care to offer comprehensive solutions in applied research, engineering, education and related activities.